



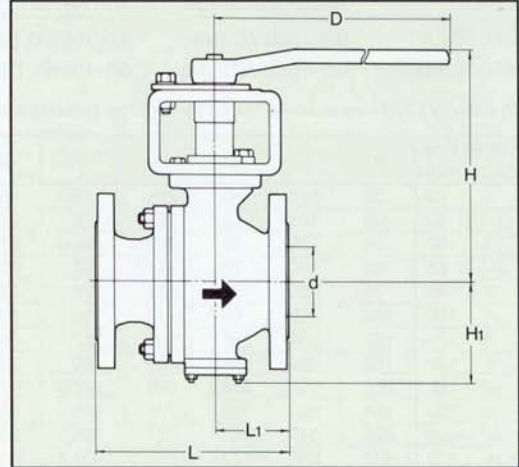
KITZ Corporation Of America
800-772-0073 • www.KITZ.com

Class 150 / 10K Lever operated Λ -port® control valves

Trim	ASME Class 150	JIS 10K
FLEKSEAT	L-150UVC (M)	L-10UVC (M)
KNIFESEAT	L-150UVCT (M)	L-10UVCT (M)

In case of CF8M valve body, KITZ Fig. shall be suffixed with "M".

Valve size		d	L	L ₁	H	H ₁	D	mm	
inch	mm								
1	25	25	127	48	181	68.5	160		
1½	40	38	165	67	198	76	230		
2	50	51	178	69	204	84.5	230		
2½	65	64	190	76	245	97	400		
3	80	76	203	77	252	106	400		
4	100	102	229	89	283	133.5	460		
5	125	127	356	158	305.5	157	460		
6	150	152	394	197	392	182	1000		
8	200	203	457	228.5	460	226.5	1500		

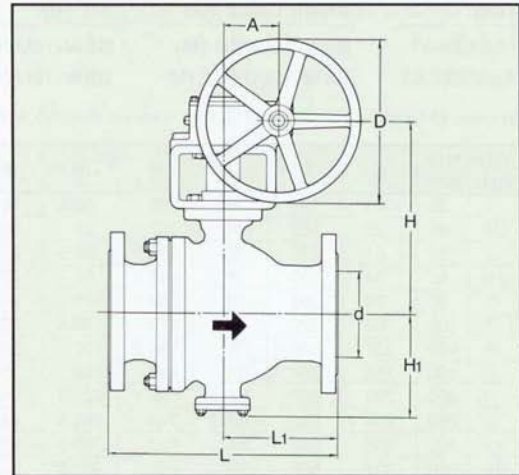


Class 150 / 10K Gear operated Λ -port® control valves

Trim	ASME Class 150	JIS 10K
FLEKSEAT	G-150UVC (M)	G-10UVC (M)
KNIFESEAT	G-150UVCT (M)	G-10UVCT (M)

In case of CF8M valve body, KITZ Fig. shall be suffixed with "M".

Valve size		d	L	L ₁	H	H ₁	D	A	mm	
inch	mm									
6	150	152	394	197	330	182	310	65.5		
8	200	203	457	228.5	410	226.5	360	88.5		
10	250	254	533	266.5	446	268.5	500	93.5		
12	300	305	610	260	524	365.5	500	134		
14	350	337	686	293	547.5	403.5	500	134		

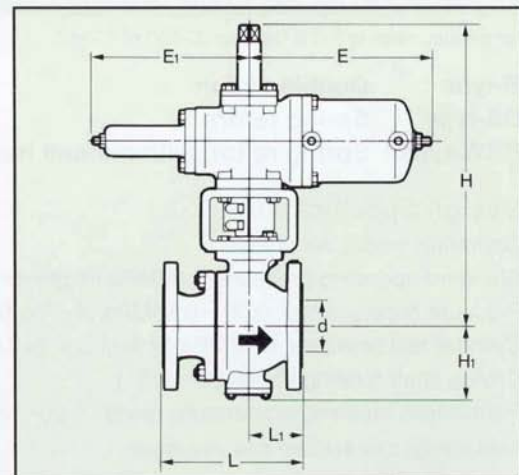


Class 150 / 10K KITZ B-type actuator operated Λ -port® control valves

Trim	ASME Class 150	JIS 10K
FLEKSEAT	B-150UVC (M)	B-10UVC (M)
KNIFESEAT	B-150UVCT (M)	B-10UVCT (M)

In case of CF8M valve body, KITZ Fig. shall be suffixed with "M".

Valve size		d	L	L ₁	H	H ₁	E	E ₁	Style	mm	
inch	mm										
1	25	25	127	48	295	68.5	154	128	B-1		
1½	40	38	165	67	363	76	205	177	B-2		
2	50	51	178	69	369.5	84.5	205	177			
2½	65	64	190	76	447.5	97	272	235	B-3		
3	80	76	203	77	454	106	272	235			
4	100	102	229	89	479	133.5	272	235	B-4		
5	125	127	356	158	594.5	157	328	284			
6	150	152	394	197	614	182	328	284	B-5		
8	200	203	457	228.5	699	226.5	423	367			
10	250	254	533	266.5	746	268.5	423	367	B-6		
12	300	305	610	260	813	365.5	631	527			
14	350	337	686	293	850.5	403.5	631	527			





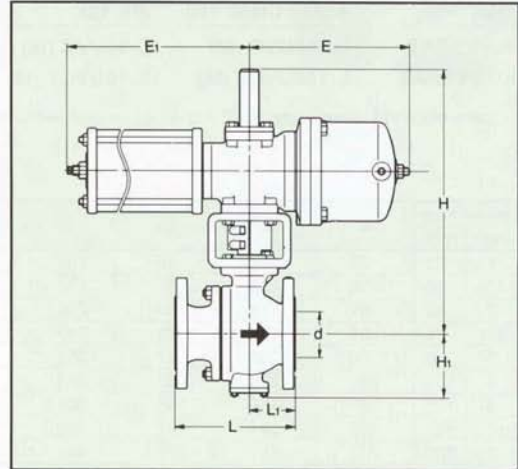
KITZ Corporation Of America
800-772-0073 • www.KITZ.com

Class 150 / 10K KITZ BS-type actuator operated Λ -port® control valves

Trim	ASME Class 150	JIS 10K
FLEKSEAT	BS-150UVC (M)	BS-10UVC (M)
KNIFESEAT	BS-150UVCT (M)	BS-10UVCT (M)

In case of CF8M valve body, KITZ Fig. shall be suffixed with "M".

Valve size		d	L	L ₁	H	H ₁	E	E ₁	Style
inch	mm								
1	25	25	127	48	295	68.5	161	239	BS-1
1½	40	38	165	67	363	76	210	335	BS-2
2	50	51	178	69	369.5	84.5	210	335	
2½	65	64	190	76	447.5	97	276	451	
3	80	76	203	77	454	106	276	451	BS-3
4	100	102	229	89	479	133.5	276	451	
5	125	127	356	158	594.5	157	351	575	
6	150	152	394	197	614	182	351	575	BS-4
8	200	203	457	228.5	699	226.5	446	745	
10	250	254	533	266.5	746	268.5	446	745	BS-5
12	300	305	610	260	827	365.5	638	931	
14	350	337	686	293	850.5	403.5	638	931	BS-6

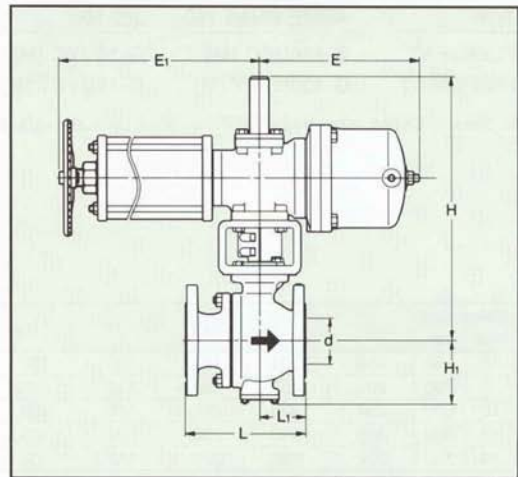


Class 150 / 10K KITZ BSW-type actuator operated Λ -port® control valves

Trim	ASME Class 150	JIS 10K
FLEKSEAT	BSW-150UVC (M)	BSW-10UVC (M)
KNIFESEAT	BSW-150UVCT (M)	BSW-10UVCT (M)

In case of CF8M valve body, KITZ Fig. shall be suffixed with "M".

Valve size		d	L	L ₁	H	H ₁	E	E ₁	Style
inch	mm								
1	25	25	127	48	295	68.5	161	259	BSW-1
1½	40	38	165	67	363	76	210	362	BSW-2
2	50	51	178	69	369.5	84.5	210	362	
2½	65	64	190	76	447.5	97	276	482	
3	80	76	203	77	454	106	276	482	BSW-3
4	100	102	229	89	479	133.5	276	482	
5	125	127	356	158	594.2	157	351	609	
6	150	152	394	197	614	182	351	609	BSW-4
8	200	203	457	228.5	699	226.5	446	795	
10	250	254	533	266.5	746	268.5	446	795	BSW-5
12	300	305	610	260	827	365.5	638	1006	
14	350	337	686	293	850.5	403.5	638	1006	BSW-6



Profile of KITZ Pneumatic Actuators

for details, refer to KITZ Cat. No. E-350 or C-350.

- B-type :** Double action
- BS-type :** Spring return
- BSW-type :** Spring return with manual handwheel

Design Specifications

- Operating media: Air pressure
- Standard operating pressure: 0.39MPa (4kgf/cm² or 60psi)
- Pressure supply range: 0.39~0.69MPa (4~7kgf/cm² or 60~100psi)
- Cylinder test pressure: 0.97MPa (9.9kgf/cm² or 140psi)
- Driving shaft rotating angle: 90° (±5°)
- Permissible ambient temperature range: -20~+60°C (-4~+140°F)

Refer to Page 8 for Actuator Selection Guide.

