



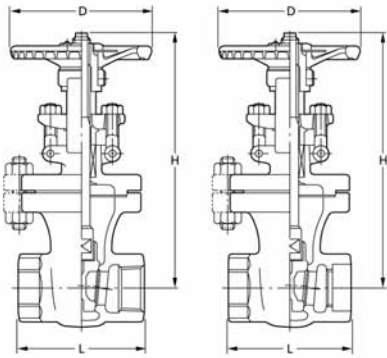
KITZ Corporation Of America  
800-772-0073 • www.KITZ.com

Design - B16.34, OS&Y, BB, Thd per B1.20.1, SW per B16.11, Flex Wedge,  
Body Materials - ASTM A351, A494, A890, A990, others upon request

## CLASS 150

## GATE VALVE

Pressure-Temperature Rating: ASME B16.34



**AK150UMM**

• Threaded ends

**AW150UMM**

• Socket Welding Ends



Parts	Material	Parts	Material
Body	CF3M	Handwheel	Ductile iron
Bonnet	CF8M	Gasket	Refer to Page 10
Stem	316	Bonnet bolt/nut	88/8
Disc	CF8M	Gland bolt/nut	88/8
Gland	316	Yoke sleeve	Ductile Ni-resist
Gland packing	Refer to Page 10	Name plate	Aluminum
Gland flange	CF8		

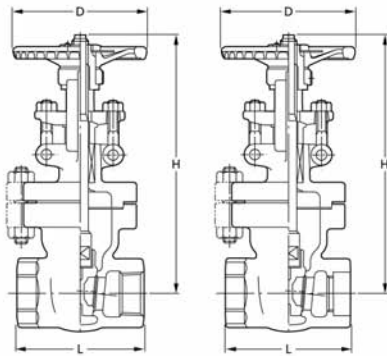
End to end: KITZ Std.  
Connecting Threads: ASME B1.20.1  
Connecting Sockets: ASME B16.11  
Wall Thickness: ASME B16.34 Class150

Nominal Size	AK150UMM					AW150UMM				
	1/2	3/4	1	1 1/2	2	1/2	3/4	1	1 1/2	2
L	15	20	25	40	50	15	20	25	40	50
	in.	2.75	3.0	3.5	4.5	4.75	2.6	2.9	3.4	4.4
	mm	70	76	89	114	121	67	73	86	111
H (open)	in.	7.7	8.03	8.7	10.87	13.2	7.7	8.03	8.7	10.87
	mm	195	204	220	276	336	195	204	220	276
D	in.	3.5	3.5	3.9	5.5	6.3	3.5	3.5	3.9	5.5
	mm	90	90	100	140	160	90	90	100	140

## CLASS 300

## GATE VALVE

Pressure-Temperature Rating: ASME B16.34



**AK300UMM**

• Threaded ends

**AW300UMM**

• Socket Welding Ends



Parts	Material	Parts	Material
Body	CF3M	Handwheel	Ductile iron
Bonnet	CF8M	Gasket	Refer to Page 10
Stem	316	Bonnet bolt/nut	88/8
Disc	CF8M	Gland bolt/nut	88/8
Gland	316	Yoke sleeve	Ductile Ni-resist
Gland packing	Refer to Page 10	Name plate	Aluminum
Gland flange	CF8		

Note: Flexible wedge for all sizes.

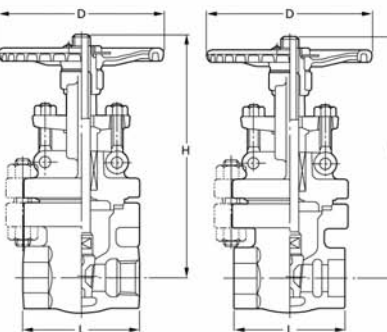
End to end: KITZ Std.  
Connecting Threads: ASME B1.20.1  
Connecting Sockets: ASME B16.11  
Wall Thickness: ASME B16.34 Class300

Nominal Size	AK300UMM					AW300UMM				
	1/2	3/4	1	1 1/2	2	1/2	3/4	1	1 1/2	2
L	15	20	25	40	50	15	20	25	40	50
	in.	3.0	3.25	3.75	5.0	5.75	2.87	3.15	3.62	4.88
	mm	76	83	95	127	146	73	80	92	124
H (open)	in.	7.95	8.3	9.1	11.2	13.5	8.0	8.3	9.1	11.2
	mm	202	212	230	285	344	202	212	230	285
D	in.	3.9	3.9	3.9	5.5	7.1	3.9	3.9	3.9	5.5
	mm	100	100	100	140	180	100	100	100	140

## CLASS 600

## GATE VALVE

Pressure-Temperature Rating: ASME B16.34



**AK600UMM**

• Threaded ends

**AW600UMM**

• Socket Welding Ends



Parts	Material	Parts	Material
Body	CF3M	Handwheel	Ductile iron
Bonnet	CF8M	Gasket	Refer to Page 10
Stem	316	Bonnet bolt/nut	88/8
Disc	CF8M	Gland bolt/nut	88/8
Gland	316	Yoke sleeve	Ductile Ni-resist
Gland packing	Refer to Page 10	Name plate	Aluminum
Gland flange	CF8		

Note: Flexible wedge for all sizes.

End to end: KITZ Std.  
Connecting Threads: ASME B1.20.1  
Connecting Sockets: ASME B16.11  
Wall Thickness: ASME B16.34 Class600

Nominal Size	AK600UMM					AW600UMM				
	1/2	3/4	1	1 1/2	2	1/2	3/4	1	1 1/2	2
L	15	20	25	40	50	15	20	25	40	50
	in.	3.0	3.25	3.75	5.0	5.75	2.87	3.15	3.62	4.88
	mm	76	83	95	127	146	73	80	92	124
H (open)	in.	7.99	8.46	9.5	12.8	15.2	7.9	8.46	9.5	12.8
	mm	201	215	240	325	385	201	215	240	325
D	in.	3.9	3.9	5.5	7.1	7.9	3.9	3.9	5.5	7.1
	mm	100	100	140	180	200	100	100	140	200