

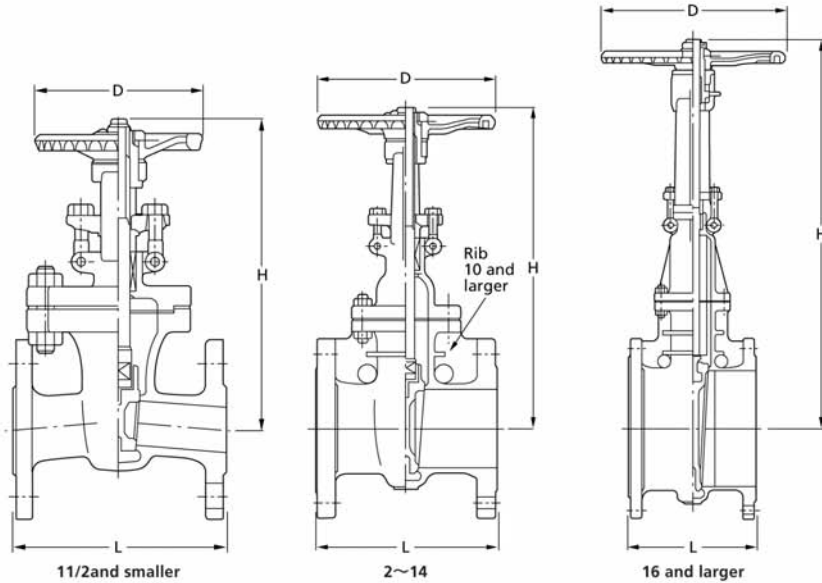
Class 150

GATE VALVE

Pressure-Temperature Rating: ASME B 16.34

150UMA

150UMAM



150UMARM 2 1/2~4
with male-female round gasket face



Materials

Parts	150UMA	150UMAM
Body	CF8	CF8M
Bonnet	CF8	CF8M
Stem	304	316
Disc	CF8	CF8M
Gland	304	316
Gland flange	CF8	
Gland packing	Refer to Page 10	
Gasket	Refer to Page 10	
Yoke sleeve	Ductile Ni-resist	
Yoke**	Ductile iron	
Handwheel	Ductile iron	
Gland bolt/nut	B8/8	
Bonnet bolt/nut	B8/8	
Grease nipple***	Steel	
Name plate	Aluminum	

*(T) Sufficing stands for the provision of ceramic filled PTFE gaskets.

**Yoke is separated from bonnet for 10 and larger.

***For size 10 and larger.

Note: • Body seats and/or disc seats can be optionally hard-faced.

• Size 1 1/4 is only for 10K.

• Flexible wedge for all sizes.

Items

Face-to-Face Dimensions	ASME B16.10
End Flange Dimensions	ASME B16.5
Wall Thickness	ASME B16.34 Class 150

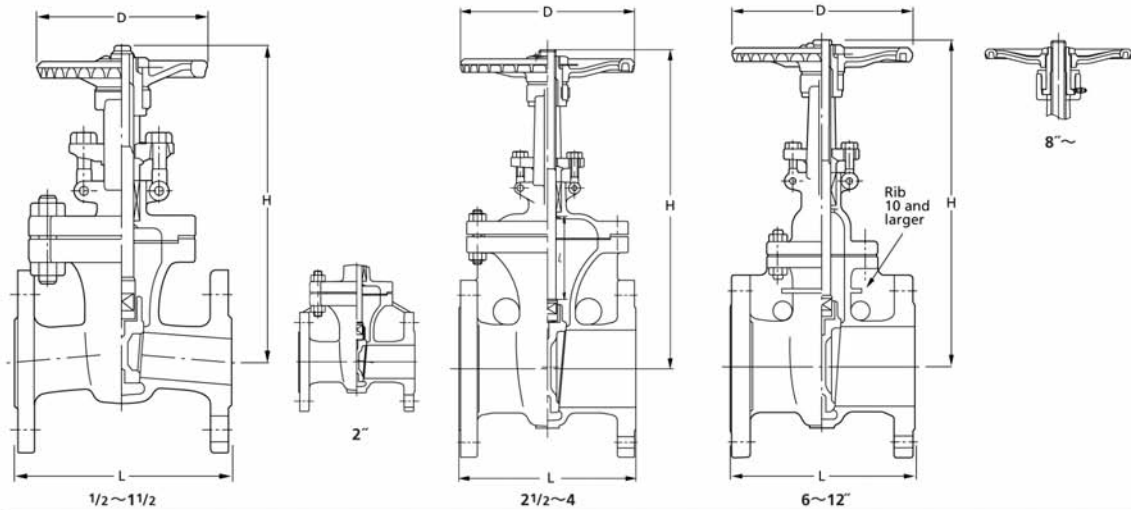
Nominal Size	1/2	3/4	1	1 1/2	2	2 1/2	3	4	5	6	8	10	12	14	16	18	20	24	
	15	20	25	40	50	65	80	100	125	150	200	250	300	350	400	450	500	600	
L	in.	4.25	4.26	5.00	6.50	7.00	7.50	8.00	9.00	10.00	10.50	11.50	13.00	14.00	15.00	16.00	17.00	18.00	20.00
	mm	108	117	127	165	178	190	203	229	254	267	292	330	356	381	406	432	457	508
H (open)	in.	7.8	8.2	8.8	11.1	13.2	14.8	17.5	20.6	23.9	28.0	36.2	44.0	52.1	58.5	66.5	74.4	82.7	96.9
	mm	198	208	224	282	336	375	445	523	606	710	920	1117	1324	1486	1690	1890	2100	2460
D	in.	3.5	3.5	3.9	5.5	6.3	7.1	7.9	8.9	9.8	9.8	11.8	13.8	15.8	17.7	23.6	23.6	26.8	29.9
	mm	90	90	100	140	160	180	200	225	250	250	300	350	400	450	600	600	680	760

Class 150

GATE VALVE

Pressure-Temperature Rating: ASME B 16.34

150UMHAM



Materials

Parts	150UMHAM
Body	CF8M
Bonnet	CF8M
Stem	316
Disc	CF8M
Gland	316
Gland flange	CF8
Gland packing	Flexible Graphite PTFE Braided
Gasket	Refer to Page 10
Yoke sleeve	Ductile Ni-resist
Yoke**	CF8
Handwheel	Ductile iron
Gland bolt/nut	B8/8
Bonnet bolt/nut	B8/8
Grease nipple***	Carbon Steel
Name plate	SUS304

**Yoke is separated from bonnet for 10 and larger.

***For size 10 and larger.

Note: • Body seats and/or disc seats can be optionally hard-faced.

• Flexible wedge for all sizes.

Items

Face-to-Face Dimensions	ASME B16.10
End Flange Dimensions	ASME B16.5
Wall Thickness	API603

Nominal Size		1/2	3/4	1	1 1/2	2	2 1/2	3	4	6	8	10	12
		15	20	25	40	50	65	80	100	150	200	250	300
L	in.	4.25	4.62	5.00	6.50	7.00	7.50	8.00	9.00	10.50	11.50	13.00	14.00
	mm	108	117	127	165	178	190	203	229	267	292	330	356
H (open)	in.	7.8	8.2	8.8	11.1	13.2	14.8	17.5	20.6	28.0	36.2	44.3	52.6
	mm	198	208	224	282	336	375	445	523	710	920	1124	1335
D	in.	3.5	3.5	3.9	5.5	6.3	7.1	7.9	8.9	9.8	11.8	13.8	15.7
	mm	90	90	100	140	160	180	200	225	250	300	350	400



KITZ Corporation Of America
800-772-0073 • www.KITZ.com

Design - API 600, OS&Y, BB, RFF, Flex Wedge, LEV - 100 PPM max.
Body Materials - ASTM A351, A494, A890, A990, others upon request

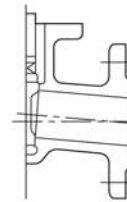
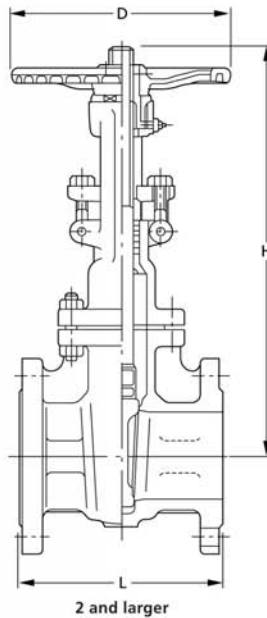
Class 150

GATE VALVE

Pressure-Temperature Rating: ASME B 16.34

150UMC

150UMCM



Materials

Parts	150UMC	150UMCM
Body*	CF8	CF8M
Bonnet	CF8	CF8M
Stem	304	316
Disc*	CF8	CF8M
Gland	304	316
Gland flange	CF8	
Gland packing	Refer to Page 10	
Gasket	Refer to Page 10	
Yoke**	CF8	
Yoke sleeve	Ductile Ni-resist	
Handwheel	Ductile iron	
Gland bolt/nut	B8/8	
Gland bolt pin	403	
Bonnet bolt/nut	B8/8	
Grease nipple	Carbon steel	
Name plate	Aluminum	

*Body seats and/or disc seats can be optionally hard-faced.

**Yoke is separated from bonnet for size 14 and larger.

Note: *Renewable seats are optionally available for size 2 and larger.

* Solid wedge for size 4 and smaller.

* Flexible wedge for all other sizes.

Items

Face-to-Face Dimensions	ASME B16.10
End Flange Dimensions	ASME B16.5
Wall Thickness	API 600 Class150

Nominal Size	1/2	3/4	1	1 1/2	2	2 1/2	3	4	6	8	10	12	14	16	18	20	24	
	15	20	25	40	50	65	80	100	150	200	250	300	350	400	450	500	600	
L	in.	4.25	4.62	5.00	6.50	7.00	7.50	8.00	9.00	10.50	11.50	13.00	14.00	15.00	16.00	17.00	18.00	20.00
	mm	108	117	127	165	178	190	203	229	267	292	330	356	381	406	432	457	508
H (open)	in.	8.6	9.1	10.8	13.5	15.3	17.1	20.0	23.2	30.0	37.8	45.8	53.9	60.0	66.9	74.6	83.5	99.0
	mm	218	231	273	342	389	435	507	590	762	960	1164	1370	1523	1700	1895	2120	2515
D	in.	3.5	3.9	4.7	6.3	7.9	7.9	9.8	9.8	11.8	13.8	15.8	17.7	19.7	23.6	23.6	26.8	29.9
	mm	90	100	120	160	200	200	250	250	300	350	400	450	500	600	600	680	760