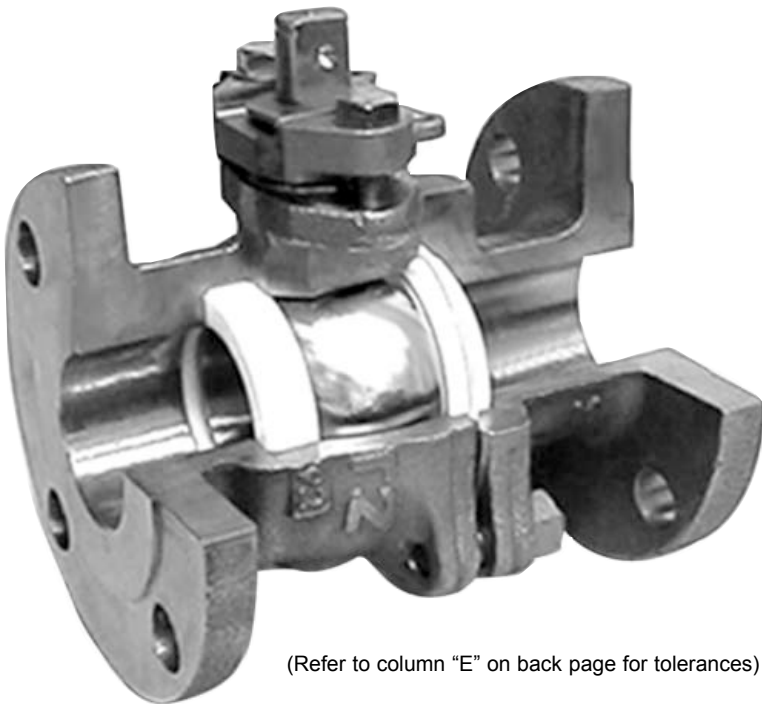


POCKETLESS BALL VALVE

CLASS 150# FLANGED FULL PORT

316 STAINLESS STEEL 1/2" - 8"

FIGURE NUMBER 150UTBPM



UNIQUE FILLED CAVITY (cast and machined) provides excellent resistance to media build up and/or stagnation between seats that can result in increased operating torque or fluid contamination.

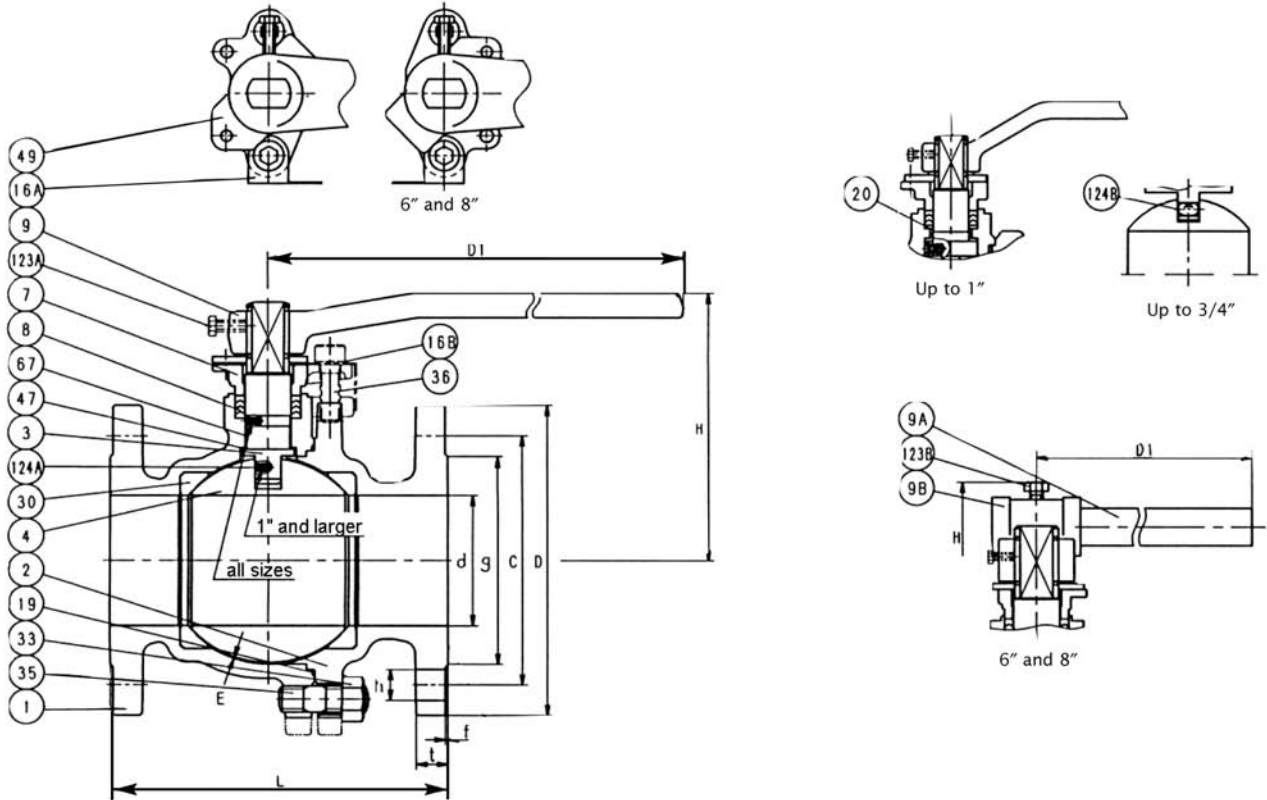
(Refer to column "E" on back page for tolerances)

KITZ VALVE SIZE (In)	OPERATING TORQUE, In-lbs		FLOW COEFFICIENT	WEIGHT, lbs
	NOMINAL ΔP (150 psi)	MAX. RATED ΔP (285 psi)	APPROX. Cv	APPROX. WEIGHT
1/2	36	40	17	5
3/4	48	51	48	6
1	61	65	64	9
1 1/2	237	289	200	21
2	330	419	346	21
2 1/2	497	635	675	37
3	809	1086	1130	48
4	1213	1617	1910	76
6	3522	4849	4260	148
8	6177	8543	8490	287



KITZ Corporation Of America
800-772-0073 • www.KITZ.com

DIMENSIONAL DATA and MATERIALS OF CONSTRUCTION



MATERIALS

NO.	PART	QTY	MATERIALS
1	Body	1	A351 Gr. CF8M SS
2	Body Cap	1	A351 Gr. CF8M SS
3	Stem	1	A276 Type 316 SS
4	Ball	1	A276 Type 316 SS or A351 Gr. CF8M SS
7	Gland	1	A351 Gr. CF8 SS
8	Gland Packing	1 Set	PTFE
9	Handle	1	Ductile Iron
9A	Handle Bar	1	Carbon Steel
9B	Handle Head	1	Ductile Iron
19	Gasket	1	PTFE
20	Packing Washer	1	A276 Type 316 SS
30	Ball Seat	2	Hypatite PTFE
33	Cap Nut	1 Set	A194 Gr. 8M SS
35	Cap Bolt	1 Set	A193 Gr. 8M SS
36	Gland Bolt	1 Set	A193 Gr. B8 SS
47	Thrust Washer	1	G/F+PTFE (4" & larger)
49	Stopper	1	A276 Type 304 SS
57	Gland Bush	1	PTFE
67	Stem Bearing	1	G/F+PTFE
123	Handle Bolt	1	Carbon Steel
124A	Anti-Static Spring & Pin	1Set	A313 Type 316 SS
124B	Anti-Static Ring Spring	1	A313 Type 316 SS
Test Pressure	Shell	425 PSI (Hydrostatic)	
	Seat	80 PSI (Air)	
Standard	Face to Face or		
	End to End	ASME B16.10 Class 150	
	Flange Dimensions	ASME B16.5 Class 150	
	Wall Thickness	ASME B16.34 Class 150	

DIMENSIONS, In

VALVE SIZE	d	H	D1	L	D	END FLANGE						E		
						BOLT HOLE			BOLT SIZE	g	t	f	MIN	MAX
						C	No.	h						
1/2	0.59	4.02	5.12	4.25	3.50	2.38	4	0.62	1/2	1.38	0.44	0.06	0.020	0.028
3/4	0.79	4.13	5.12	4.61	3.86	2.76	4	0.62	1/2	1.69	0.44	0.06	0.020	0.028
1	0.98	4.88	6.30	5.00	4.25	3.13	4	0.62	1/2	2.01	0.44	0.06	0.031	0.039
1½	1.57	4.53	9.06	6.50	5.00	3.88	4	0.62	5/8	2.87	0.56	0.06	0.031	0.039
2	1.97	4.72	9.06	7.01	5.98	4.74	4	0.75	5/8	3.62	0.63	0.06	0.031	0.039
2½	2.56	6.10	15.75	7.48	7.01	5.49	4	0.75	5/8	4.13	0.69	0.06	0.031	0.039
3	3.15	6.50	15.75	7.99	7.48	6.00	4	0.75	5/8	5.00	0.75	0.06	0.031	0.039
4	3.94	7.87	18.11	9.02	9.02	7.50	8	0.75	5/8	6.18	0.94	0.06	0.039	0.051
6	5.91	11.61	39.37	15.51	10.98	9.51	8	0.88	3/4	8.50	1.00	0.06	0.039	0.051
8	7.87	13.98	59.06	17.99	13.50	11.75	8	0.88	3/4	10.63	1.13	0.06	0.067	0.079

